



STEREO CLOCK RADIO/RECHARGING STATION FOR iPod®



OWNER'S MANUAL
KT4560
(iPod Not Included)

PLEASE READ THIS OPERATING MANUAL COMPLETELY BEFORE
OPERATING THIS UNIT AND RETAIN THIS BOOKLET FOR FUTURE REFERENCE

DEAR HELLO KITTY® CUSTOMER

Selecting fine audio equipment such as the unit you've just purchased is only the start of your musical enjoyment. Now it's time to consider how you can maximize the fun and excitement your equipment offers. This manufacturer and the Electronic Industries Association's Consumer Electronics Group want you to get the most out of your equipment by playing it at a safe level. One that lets the sound come through loud and clear without annoying blaring or distortion and, most importantly, without affecting your sensitive hearing. Sound can be deceiving. Over time your hearing "comfort level" adapts to higher volumes of sound. So what sounds "normal" can actually be loud and harmful to your hearing. Guard against this by setting your equipment at a safe level BEFORE your hearing adapts.

To establish a safe level:

- Start your volume control at a low setting.
- Slowly increase the sound until you can hear it comfortably and clearly, and without distortion.

Once you have established a comfortable sound level:

- Set the dial and leave it there.

Taking a minute to do this now will help to prevent hearing damage or loss in the future. After all, we want you listening for a lifetime.

We Want You Listening For a Lifetime

Used wisely, your new sound equipment will provide a lifetime of fun and enjoyment. Since hearing damage from loud noise is often undetectable until it is too late, this manufacturer and the Electronic Industries Association's Consumer Electronics Group recommend you avoid prolonged exposure to excessive noise.

Customer's Record:

The serial number of this product is found on its battery compartment. You should note the serial number of this unit in the space provided as a permanent record of your purchase to aid in identification in the event of theft or loss.

Model Number: KT4560

Serial Number: _____

SAFETY INSTRUCTIONS



“See Bottom of Unit”

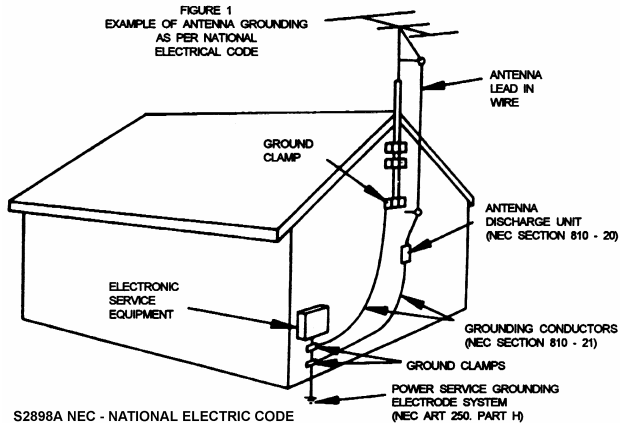
WARNING: TO PREVENT FIRE OR SHOCK HAZARD, DO NOT EXPOSE THIS APPLIANCE TO RAIN OR MOISTURE.

THE IMPORTANT SAFETY INSTRUCTIONS SHALL INCLUDE, AS APPLICABLE TO THE APPLIANCE, STATEMENTS THAT CONVEY TO THE USER THE INFORMATION ITEMIZED IN THIS PARAGRAPH:

1. Read instructions - All the safety and operating instructions should be read before the appliance is operated
2. Retain instructions - The safety and operating instructions should be retained for future reference.
3. Heed Warnings - All warnings on the appliance and in the operating instructions should be adhered to.
4. Follow instructions - All operation and use instructions should be followed.
5. Water and Moisture - The appliance should not be used near water; for example, near a bathtub, washbowl, kitchen sink, laundry tub, in a wet basement, or near a swimming pool, and the like.
6. Carts and Stands - The appliance should be used only with a cart or stand that is recommended by the manufacturer.
An appliance and cart combination should be moved with care. Quick stops, excessive force, and uneven surfaces may cause the appliance and cart combination to overturn.
7. Wall and Ceiling Mounting - The appliance should be mounted to a wall or ceiling only as recommended by the manufacturer.
8. Ventilation - The appliance should be situated so that its location or position does not interfere with its proper ventilation. For example, the appliance should not be situated on a bed, sofa, rug, or similar surface that may block the ventilation openings; or placed in a built-in installation, such as a bookcase or cabinet that may impede the flow of air through the ventilation openings.
9. Heat - The appliance should be situated away from heat sources such as radiators, heat registers, stoves or other appliances (including amplifiers) that produce heat.
10. Power Sources-The appliance should be connected to a power supply only of the type described in operating instructions or as marked on the appliance.
11. Grounding or Polarization - Precautions should be taken so that the grounding or polarization means of an appliance is not defeated.
12. Power-Cord Protection - Power supply cords should be routed so that they are not likely to be walked on or pinched by items placed upon or against them, paying particular attention to cords at plugs, convenience receptacles and the point where they exit from the appliance.
13. Protective Attachment Plug - The appliance is equipped with an attachment plug having overload protection. This is a safety feature. See Instruction Manual for replacement or resetting of protective device. If replacement of the plug is required, be sure the service technician has used a replacement plug specified by the manufacturer that has the same overload protection as the original plug.
14. Cleaning - The appliance should be cleaned only as recommended by the manufacturer.
15. Power Lines - An outdoor antenna should be located away from power lines.



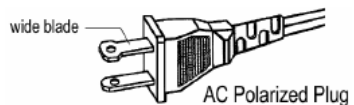
16. Outdoor Antenna Grounding - If an outside antenna is connected to the receiver, be sure the antenna system is grounded so as to provide some protection against voltage surges and built up static charges. Section 810 of the National Electrical Code, ANSI/ NFPA No.70-1984, provides information with respect to proper grounding of the mast and supporting structure, grounding of the lead-in wire to an antenna discharge unit, size of grounding conductors, location of antenna discharge unit, connection to grounding electrodes, and requirements for the grounding electrode. See figure 1.



17. Nonuse Periods - The power cord of the appliance should be unplugged from the outlet when left unused for a long period of time.
18. Object and Liquid Entry - Care should be taken so that objects do not fall and liquids are not spilled into the enclosure through openings.
19. Damage Requiring Service - The appliance should be serviced by qualified service personnel when:
- The power supply cord or the plug has been damaged; or
 - Objects have fallen, or liquid has been spilled into the appliance; or
 - The appliance has been exposed to rain; or
 - The appliance does not appear to operate normally or exhibits a marked change in performance; or
 - The appliance has been dropped, or the enclosure damaged.
20. Servicing - The user should not attempt to service the appliance beyond that described in the operating instructions. All other servicing should be referred to qualified service personnel.

CAUTION:

TO PREVENT ELECTRIC SHOCK, MATCH WIDE BLADE OF PLUG TO WIDE SLOT. FULLY INSERT THE PLUG TO MAIN POWER SOCKET.



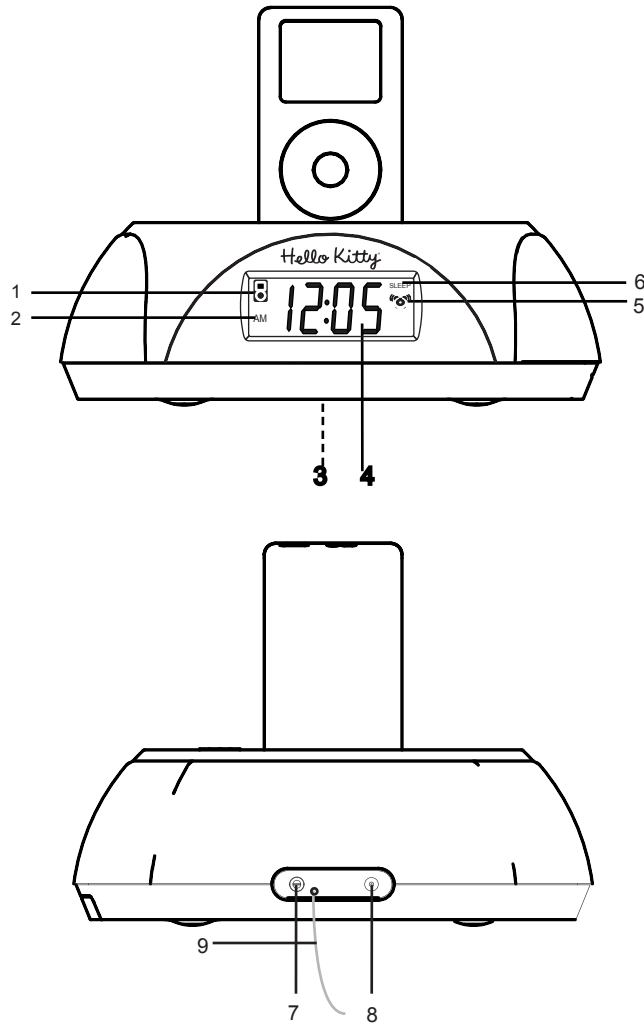
COMPLIANCE WITH FCC REGULATIONS

This equipment has been tested and found to comply with the limits for a radio receiver and Class B digital device, pursuant to Part 15 of the FCC Rules. These limits are designed to provide reasonable protection against harmful interference in a residential installation. This equipment generates, uses and can radiate radio frequency energy and, if not installed and used in accordance with the instructions, may cause harmful interference to radio communications. However, there is no guarantee that interference will not occur in a particular installation. If this equipment does cause harmful interference to radio or television reception, which can be determined by turning the equipment off and on, the user is encouraged to try to correct the interference by one or more of the following measures:

- Reorient or relocate the receiving antenna.
- Increase the separation between the equipment and receiver.
- Connect the equipment into an outlet on a circuit different from that to which the receiver is connected
- Consult the dealer or an experienced radio technician for help.

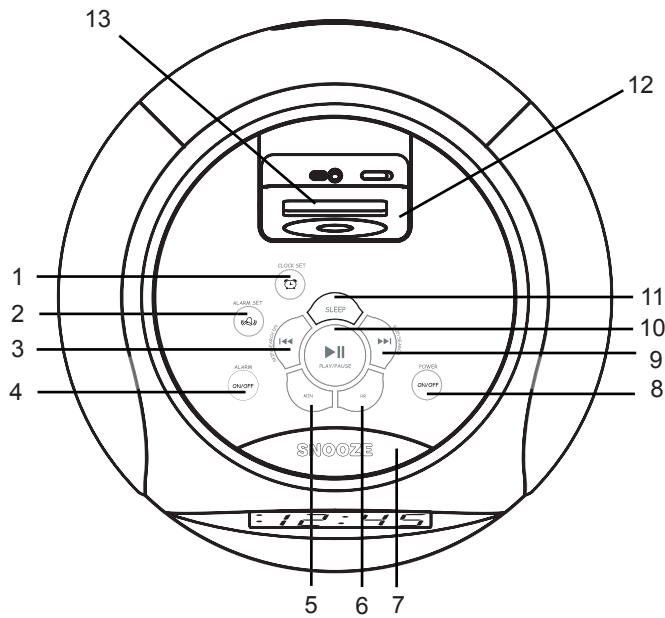
CAUTION: Changes or modifications not expressly approved by the party responsible for compliance could void the user's authority to operate the equipment.

LOCATION OF CONTROLS



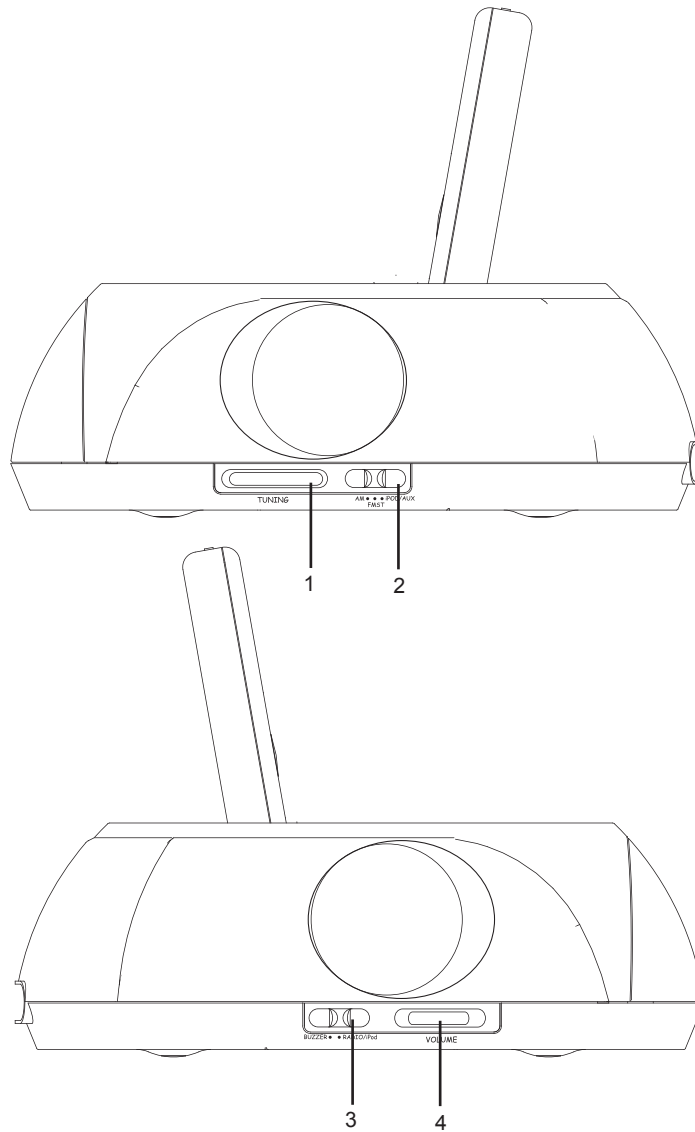
- 1. IPOD INDICATOR
- 2. AM/FM INDICATOR
- 3. BACKUP BATTERY COMPARTMENT (BOTTOM OF UNIT)
- 4. CLOCK/RADIO FREQUENCY DISPLAY
- 5. ALARM INDICATOR
- 6. SLEEP INDICATOR
- 7. AUX IN (REAR OF UNIT)
- 8. VIDEO OUT (REAR OF UNIT)
- 9. FM ANTENNA (REAR OF UNIT)

LOCATION OF CONTROLS



- | | |
|---|---|
| <p>1. <input type="checkbox"/> CLOCK SET BUTTON</p> <p>2. <input type="checkbox"/> ALARM SET BUTTON</p> <p>3. <input type="checkbox"/> SKIP/SEARCH</p> <p> <input type="checkbox"/> BACKWARD BUTTON</p> <p>4. <input type="checkbox"/> ALARM ON/OFF BUTTON</p> <p>5. <input type="checkbox"/> MINUTE BUTTON</p> <p>6. <input type="checkbox"/> HOUR BUTTON</p> | <p>7. <input type="checkbox"/> SNOOZE BUTTON</p> <p>8. <input type="checkbox"/> POWER BUTTON</p> <p>9. <input type="checkbox"/> SKIP/SEARCH</p> <p> <input type="checkbox"/> FORWARD BUTTON</p> <p>10. <input type="checkbox"/> IPOD PLAY/PAUSE BUTTON</p> <p>11. <input type="checkbox"/> SLEEP BUTTON</p> <p>12. <input type="checkbox"/> IPOD DOCK</p> <p>13. <input type="checkbox"/> IPOD DOCKING CONNECTOR</p> |
|---|---|

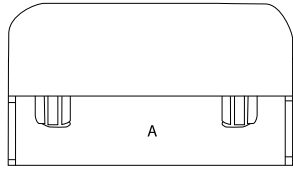
LOCATION OF CONTROLS



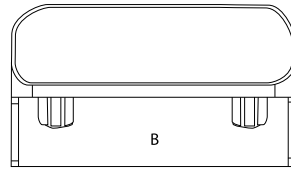
- 1. RADIO TUNING CONTROL
- 2. FUNCTION SWITCH
- (AM OR FM OR IPOD/AUX)

- 3. WAKE TO SWITCH
- (BUZZER OR RADIO/IPOD)
- 4. VOLUME CONTROL

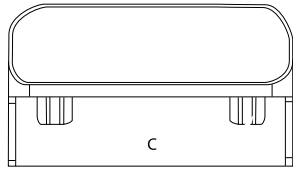
ADAPTORS FOR IPOD®



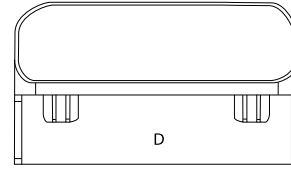
iPod with Color Display 20GB
iPod 3rd Gen
10, 15, 20GB



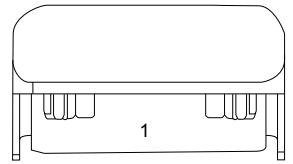
iPod 4th Gen 40GB
iPod Photo 30GB
iPod 3rd Gen 30, 40GB



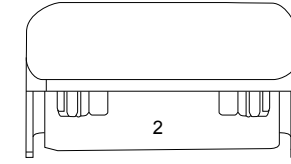
iPod 4th Gen 20GB
iPod U2 30GB



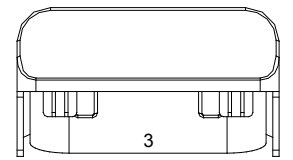
iPod with Color Display 60GB
iPod Photo 40GB/60GB



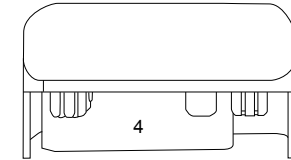
iPod Video 30GB



iPod Video 60GB



iPod Mini



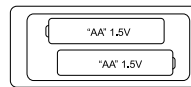
iPod Nano



GETTING STARTED

Install/Replace Backup Battery

This unit uses a backup battery system to provide continuous alarm operation and clock settings in the event of a power failure. If the Backup Battery has been installed and a power failure occurs or the AC cord is accidentally disconnected, the display will not remain lit, but the current time and alarm time setting will be temporarily maintained. Otherwise, you must reset the time and alarm setting.



1. Please make sure the AC cord is connected. Otherwise all settings may be lost during battery replacement.
2. Open the battery compartment cover located on the bottom of the unit.
3. Insert 2 x "AA" (UM3) batteries (not included), checking that the polarity (+ and - ends of the batteries) matches the drawing inside the battery compartment. We recommend the use of alkaline batteries for longer life. Different type of batteries or new and used batteries are not to be mixed.
4. Close the compartment cover.

Warning:

- * Be sure that the batteries are installed correctly. Wrong polarity may damage the unit.
- * Do not mix old and new batteries.
- * Do not mix alkaline, standard (carbon-zinc) or rechargeable (nickel-cadmium) batteries.
- * Only batteries of the same or equivalent type as recommend are to be used.
- * If the unit is not to be used for an extended period of time, remove the battery.
- * Do not dispose of batteries in fire, batteries may explode or leak.

OPERATING INSTRUCTIONS

Placement of the System

The system should be placed on a stable, level surface such as a table, desk, or shelf, convenient to an AC outlet, away from direct sunlight, and sources of excess heat, dust, moisture, humidity, vibration, or strong magnetic fields.

Setting Clock Time

1. With the power off, press and hold the **CLOCK SET** button.
2. Press the **HOUR** and **MINUTE** button to set the clock's hour and minute.
3. Once set, release the **CLOCK SET** button to confirm.

Setting Alarm Clock

1. With the power off, press and hold the **ALARM SET** button.
2. Press the **HOUR** and **MINUTE** button to set the alarm's hour and minute.
3. Once set, release the **ALARM SET** button.
3. Slide the **WAKE TO** switch to select alarm by buzzer or radio or iPod.

Wake to Buzzer

1. Slide the WAKE TO switch to BUZZER setting.

Wake to Radio (No iPod inserted in dock)

1. Slide the WAKE TO switch to Radio/iPod setting.
2. Select your desire radio band by slide the FUNCTION switch to choose AM or FM.
3. Use the TUNING control to select your desire station frequency.

OPERATING INSTRUCTIONS

Wake to iPod:

1. Slide the **WAKE TO** switch to Radio/iPod setting.
2. Slide the **FUNCTION** switch to iPod/AUX IN setting.
3. Turn your iPod OFF and properly insert it into the dock.
4. Press the **ALARM ON** Button (Alarm indicator on), then the **POWER ON** Button to turn the iPod on (iPod indicator on).
5. Press the **PLAY/PAUSE** Button to begin playing the iPod.
6. Select the song or playlist you wish to be woken up to and Press the **PLAY/PAUSE** Button again once your selection begins to play.
7. Press the **POWER OFF**. The Alarm indicator remains on.

Stop Alarm

- When the desired alarm time is reached, the backlight of LCD will turn ON with full brightness, and the alarm will sound for approximately one hour.
- Press the **Alarm ON/OFF** button once to stop the alarm, the Alarm will activate again once the pre-set alarm time is reached the next day.

Alarm SNOOZE Function

- Press the **SNOOZE** button once to activate the snooze function when the alarm is sounding.
- LCD backlight will go dim and alarm sound will be turned off temporarily.
- Alarm will sound again in 5 minutes, Snooze function can be repeated for maximum 12 times.

Note:

1. Your iPod must be properly docked in order for the Wake to iPod Function to work properly.

OPERATING INSTRUCTIONS

Setting up your radio

Checking AM/FM Radio reception

Your clock radio has a built-in antenna for AM radio. To improve reception, you may need to rotate your unit.

Unwind the external FM wire antenna and extend it to its full length.

Listening to Radio

1. Press the **POWER** button to turn the unit on.
2. Slide the **FUNCTION** switch to select AM or FM band.
3. Use the **TUNING** control to select the desired AM or FM station.
4. Press the **POWER** button to turn the radio off.

OPERATING INSTRUCTIONS

Setting up your radio

Checking AM/FM Radio reception

Your clock radio has a built-in antenna for the AM radio. To improve reception, you may need to rotate your unit.

Unwind the external FM wire antenna and extend it to its full length.

Listening to Radio

1. Press the **POWER** button to turn the unit on.
2. Slide the **FUNCTION** switch to select the AM or FM band.
3. Use the **TUNING** control to select the desired AM or FM station.
4. Press the **POWER** button to turn the radio off.

OPERATING INSTRUCTIONS

This unit is designed specifically to work with your docking iPod. Please read this instruction carefully before operating the unit.

iPod Adaptors:

Your unit comes with removable adaptors to ensure your iPod fits properly in the dock on the top of the unit.

To Insert the Adaptor:

1. Select the adaptor for your iPod (see adaptors for iPod page). Using the correct adaptor ensures a proper fit for your iPod.
2. Gently press the iPod adaptor into the dock.
3. Carefully place your iPod into the dock.
4. To remove/replace an adaptor, first remove your iPod, then grip the adaptor and pull gently upwards.

Listening to your iPod:

1. When the iPod is docked and in standby mode
2. Press the **POWER** button to turn on the unit.
3. Slide the **FUNCTION** switch to iPod/AUX setting.
4. Press the **PLAY/PAUSE** button to play the iPod.
5. Press the iPod **SKIP/SEARCH FORWARD OR BACKWARD** button to skip to the next or previous song;
6. Hold the iPod **SKIP/SEARCH FORWARD OR BACKWARD** button for fast-forwarding or fast-rewinding during playback.

OPERATING INSTRUCTIONS

Charging your iPod:

1. When the iPod is docked and it recharges until fully charged.

Listening to your iPod:

1. When the iPod is docked and in standby mode
2. Press the **POWER** button to turn on the unit.
3. Slide the **FUNCTION** switch to iPod/AUX setting.
4. Press the **PLAY/PAUSE** button to play the iPod.

Sleep Operation:

1. When listening to radio or iPod, press **SLEEP** button to enter
 sleep mode.
2. You can adjust the sleep timer from 60 mins to 10 mins by
 pressing the **SLEEP** button.
3. To cancel the sleep, set the sleep timer to "00".

Video Out (For iPods with video ONLY):

1. You can connect this unit to need a television or other video device
 that has a composite video input.
2. Securely dock the iPod with video.
3. Connect the yellow RCA cable into the rear video out jack on
 the unit.
4. Connect the other end of the yellow RCA cable to the video device.
5. Slide the **FUNCTION** switch to iPod/AUX setting.
6. Select a movie from your iPod menu.
7. iPod: On the main menu choose video then select video setting.
8. iPod: Make sure the TV Out is section is set to "ON".
9. iPod: Switch back to the movie library and play the movie of your
 choice.

OPERATING INSTRUCTIONS

For Photo View: (For iPod with color display ONLY excludes nano)

1. Slide the **FUNCTION** switch to iPod/AUX setting.
2. Securely dock the iPod with color display.
3. iPod: On the main menu choose Photo then select slideshow
 setting.
4. iPod: At TV out section, make sure it is set to "ON".
5. iPod: Go to the Photo Library and then press play. The slideshow
 will play on your device.

- Note:
1. The RCA Video input connector on a television is usually color coded yellow to match the color on the AV cable.
 2. When playing slideshows or video, the audio will only playback on the unit
 speakers.
 3. RCA Cable is not included.

AUX In:

The AUX in jack can be used to playback external audio sources on the unit speakers.

1. Plug the audio connectors from a 3.5mm audio cable (not included)
 into the AUX IN jack of the system.
2. Plug the other end of the audio cable into the Audio out jack on the
 external audio input device.
3. Slide the FUNCTION button to iPod/AUX setting.
4. Turn on the external audio device and use the device's controls to
 control playback.

- Note:
1. 3.5mm audio cable is not included.
 2. If the AUX IN jack is plugged in, the system will playback the external
 audio source. The iPod sound will be cut off so the user needs to turn
 off the iPod manually.

CARE AND MAINTENANCE

- Do not subject the unit to excessive force, shock, dust or extreme temperature.
- Do not tamper the internal components of the unit.
- Clean your unit with a damp (never wet) cloth. Solvent or detergent should never be used.
- Avoid leaving your unit in direct sunlight or in hot, humid or dusty places.
- Keep your unit away from heating appliances and sources of electrical noise such as fluorescent lamps or motors.

Resetting the Unit

If the unit is subject to a power surge or electric shock, it is possible that the internal micro-controller may lock up and the unit will not respond to any commands from the front panel controls.

1. In the event, unplug and take out all the backup batteries, then
 reconnect the AC Power plug into the wall outlet.
2. The reset operation clears the system memory and all of your
 previous settings will be erased.
3. If you would like to keep the backup clock going, please reinstall
 the backup batteries.

TROUBLESHOOTING GUIDE

Should you experience difficulties in the use of this unit please refer to the following chart or call 1-800-777-5331 for Customer Service.

Symptom	Possible Problem	Solution
The unit does not respond (no power)	AC power cord is not plugged into a wall outlet or the connector is not plugged into the power supply jack on the back of the unit.	Plug the AC adaptor into a wall outlet and plug the connector into the supply jack on the unit.
	Wall outlet is not functioning.	Plug another device into the same outlet to confirm the outlet is working.
iPod® does not dock properly	Using no/wrong iPod® Adaptor.	Make sure the dock insert is the proper fit for your iPod®.
	iPod® does not install properly.	Remove your iPod® from the dock and check for obstruction on the connectors in the dock and on your iPod®. Then reseal it in the dock.
iPod® does not respond to the speaker system	iPod® is not installed properly.	Remove your iPod® from the dock and check for obstruction on the connectors in the dock and on your iPod®. Then reseal it on the dock.
	Your iPod® is locked up.	Please make sure that your iPod® is working properly before docking into the unit. Please refer to your iPod® manual for details.
iPod® does not charge up	iPod® is not installed properly.	Remove your iPod® from the dock and check for obstruction on the connectors in the dock and on your iPod®. Then reseal it in the dock.
	iPod® is locked up/ frozen. iPod® battery has problem.	Please make sure your iPod® is working properly before docking into the unit. Please refer to your iPod® manual for details.
AM band is too noisy	The reception at the set location is poor.	Slightly rotate the unit for the best reception.
Sound is distorted	Volume level is set too high.	Decrease the volume.
	Sound source is distorted.	If the iPod original sound source is of poor quality, distortion and noise are easily noticed with high-power speakers. Try a different audio source such as a music CD. If you are using an external sound source like older generation of iPod®, try reducing the output volume on the device itself. Also try turning bass boost OFF or change the EQ setting.

SPECIFICATIONS

Power Requirement

Input: AC120V/60Hz

Battery Back-up for Clock: 2 X DC1.5V 'AA' (UM-3) Batteries

Frequency Range

Radio Receiving: AM 520 – 1710 KHz,
FM 88 – 108 MHz,

Power Consumption

Docking system: 12 Watts

Speaker output: 2 X 2 Watts RMS

SERVICE

Please refer to the instructions on the enclosed warranty card for returning your unit for service. When returning the unit, please remove batteries to prevent damage to the unit in transit and/or from possible leakage. We are not responsible for batteries returned with the product or for the cost of replacement

Distributed by:
SPECTRA Merchandising International, Inc.
Chicago Industry Tech Park
4230 North Normandy Avenue
Chicago, IL 60634, U.S.A.

Please have model number ready, for Customer Service, call 1-800-777-5331.

The specification and external appearance of the set are subject to change without prior notice.